

HELOS

TABLES



SPECIFICATIONS

Height 730mm
Length Custom Sizes
Depth Custom Sizes
Top 25mm, 33mm
Laminate, Timber, Plywood

Powdercoated Steel Cylinder Bases
Custom Powdercoat Available
Multiple Table Shapes & Configurations
Custom Top Finishes Available
Sharknose Top Available

OPTIONS

Solid Timber / Veneer / Plywood Tops
In-Desk Power & Data Integration
Custom Powdercoated Frames

LEAD TIME

4 - 6 weeks

WARRANTY

7 Years

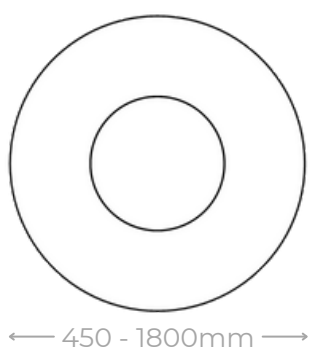
CONFIGURATIONS

Round Tables
Rectangular Tables
Shaped Tables

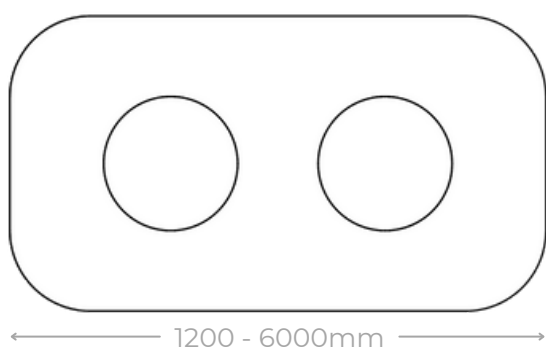
FINISHES

Black or White Powdercoat
Prefinished Laminate Board,
Veneer or Solid Timber

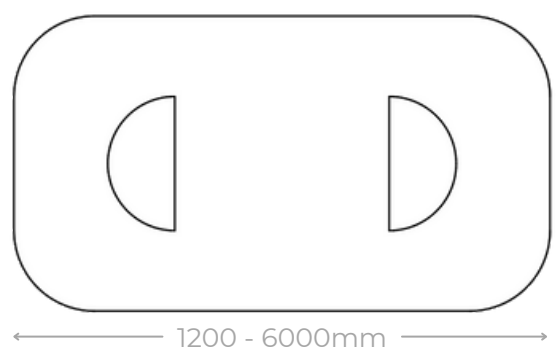
HELOS SINGLE



HELOS MULTI BASE



HELOS MULTI SEMI-BASE



*Helos showcases clean lines
for a sophisticated and
contemporary feel*

